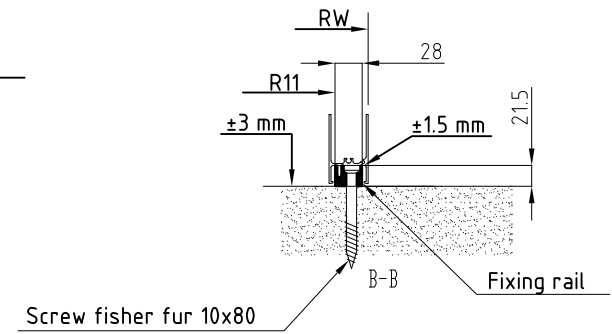
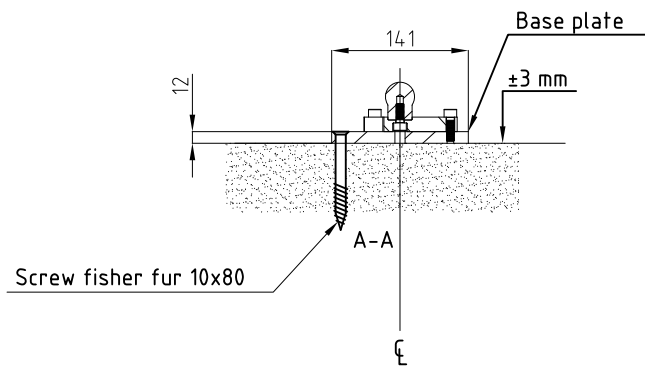


Finished Floor with hard, smooth level surface ($\pm 3\text{mm}$)



Size	-42	-48
DF	4290	4890
RW	2140	2440
R11	2106	2406
W1	956	1111
W2	417	478

W1 = Weight (kg) distributed over the fixing rail
 W2 = Weight (kg) distributed over the base plate

Customer: _____

Door id: _____

Project No: _____

Ref: _____

Date: _____

Sign: _____

Revolving door
 ASSA ABLOY RD3L
 Floor preparation, size 42 & 48

ASSA ABLOY

4.0 1005976